

ONYXWorks®

Integrated Facilities Monitoring Network



Network Systems

General

ONYXWorks™ is the next generation in life safety and building systems integration for monitoring fire, security, and other facility information over a proprietary network. ONYXWorks is designed to allow a combination of different technologies and network products to be operated on the same workstation. It features intelligent gateways to facilitate modular system integration, allowing continued expansion of workstation and network functions. These gateways add more flexibility when integrating building operations and communicating over a local Ethernet or wide-area TCP/IP network.

The ONYXWorks workstation is a high-performance industrial computer with text and color graphic display capability of all network events and points. The workstation uses Microsoft® Windows® 7 (64 bit, Pro), providing an easy-to-use graphical user interface. The operator is presented with a consistent look and operation for all monitored equipment. The ONYXWorks PC workstation has the ability to monitor multiple local device networks, remote sites, and is an ideal addition to the NOTI•FIRE•NET™ network when network monitoring and control are required.

Features

OVERVIEW

- Rack-mountable 2.4 GHz quad-core processor with 16 GB of RAM, a 240 GB solid-state hard drive, sound card, and speakers. Monitor options: 22" regular; 22" touch-screen.
- Operates on Microsoft Windows® 7 (64 bit, Pro).
- Supports up to 200 intelligent gateways.
- NOTI•FIRE•NET™ gateway redundancy for network survivability.
- Supports the following additional languages: Arabic, French, Korean, Portuguese, Spanish, and Chinese (Traditional and Simplified).
- Compatible with standard, high-speed NOTI•FIRE•NET™, and Ethernet-based networks.

USER INTERFACE

- All off-normal events displayed simultaneously with text and corresponding graphic screens.
- Automatic screen navigation (selectable for each device) that locates and zooms to the device related to an alarm or event, based on the priority of the event.
- Dynamically generated floor plan overview.
- Floor plans can be zoomed in and out and devices can be placed at different zoom levels.
- Full linked multimedia (text, audio, video, and bitmaps) to any device, all definable by the administrator.
- Intuitive navigational tree and icons for easy access to building floorplans.

EVENT NOTIFICATION AND RESPONSE

- Real-time event printing of system-wide events.
- Control of security and fire panels (extent of control determined by panel model).
- Operator log with response tracking.
- Alphanumeric paging and e-mail notification with configurable message format.



- History Manager records operator, event, and response (with time and date stamp) to disk.
- Up to 6 states can be visually represented for each input device: Normal, Trouble, Fire Alarm, Pre-Alarm (detectors), Disabled and Security.
- Intuitive paging feature supports voice paging for mass notification (NOTIFY-IP).

SYSTEM SETUP

- Graphic Editing mode allows on-site programming of floor plan screens, device icons, functional and navigational buttons.
- Import converted vector drawing files (.WMF), and bitmap files from existing CAD floor plan drawings (.BMP, .JPG, and .GIF).
- Graphics printing for floor plans and reports.
- Customizable device icon and colors to visually represent each event type.
- User defined icons can be added to the workstation (.PNG, .BMP, .WMF, .JPG, and .GIF formats).

SECURE ACCESS

- System Administrator-definable security, monitoring, and control profiles allow for extremely flexible definition of operator accounts.
- Operator Login/Logout/Change Password feature allows only authorized personnel to access the system.
- Logs in history of any operator changes in the workstation.

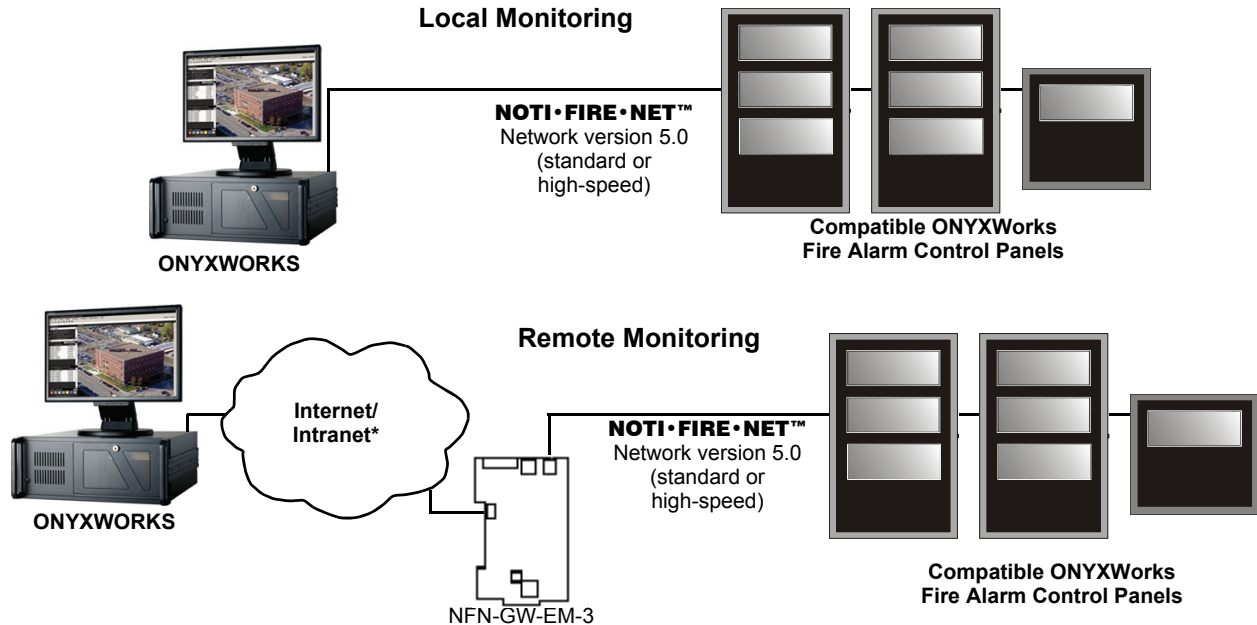
SYSTEM MAINTENANCE

- Backup capability for screen, member, and history databases.
- Obtain software version numbers for network panels (ONYX® Series fire panels.)
- Upload/Download databases to NOTIFIER ONYX series panels and perform panel upgrades (ONYX Series only) over the network using VeriFire Tools.
- Individual Enable/Disable or Group Enable/Disable points and zones on the NOTI•FIRE•NET™ network.

NOTI•FIRE•NET™ Monitoring

An ONYXWorks system is an ideal component of a Fire Command Center for real-time fire system status and system control options. ONYXWorks interfaces directly to a NOTI•FIRE•NET™ fire system using an NFN Gateway. The NFN Gateway is an intelligent interface used by an ONYXWorks system that facilitates monitoring and control of a NOTI•FIRE•NET (version 5.0) network and NOTIFIER fire panels. The NFN Gateway is available in two versions: PC-based gateway and embedded gateway (see NFN Gateway data sheet DN-7060). The embedded NFN Gateway enables users to monitor multiple sites (local or remote) over an IP network.

Minimum ONYXWorks equipment options/requirements are available on the NFN Gateway data sheet.

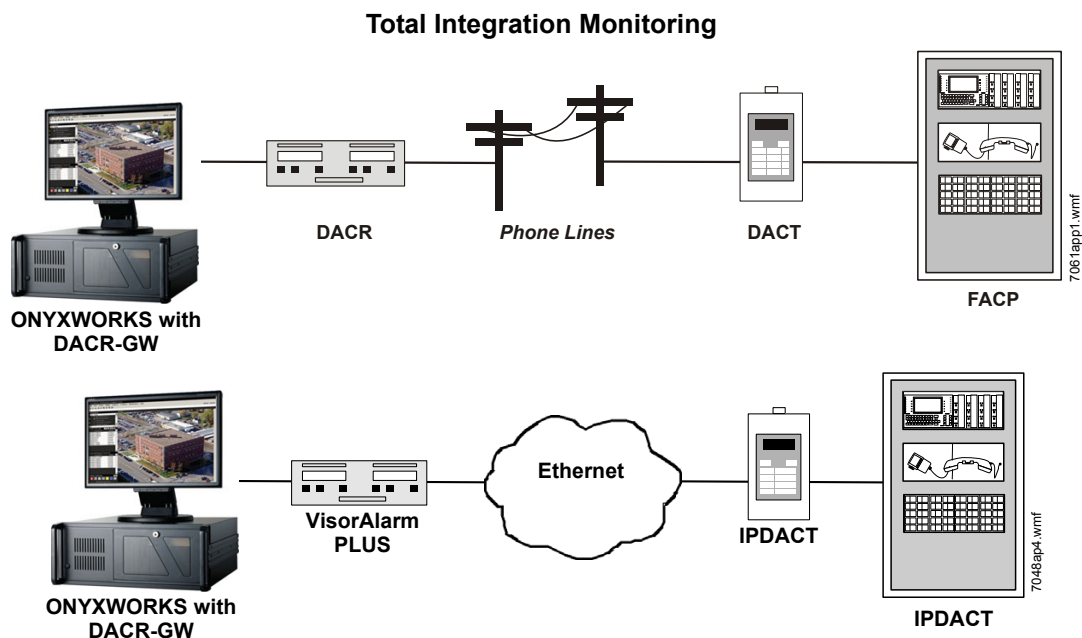


* A UL Listed ethernet (TCP/IP) switch is required between a shared-IP network and the ONYXWorks equipment. Contemporary Control Systems, Inc. (www.ctrlink.com) has several UL864 recognized switching hubs.

Building Systems Integration

In addition to NOTIFIER fire-only applications, the ONYXWorks Proprietary Supervising Station mode allows integration of competitive fire panels, security, and access control into one graphical user interface. This mode allows for monitoring of local or remote (over shared IP or standard phone lines) building systems using Digital Alarm Communicator Receiver (DACR-GW).

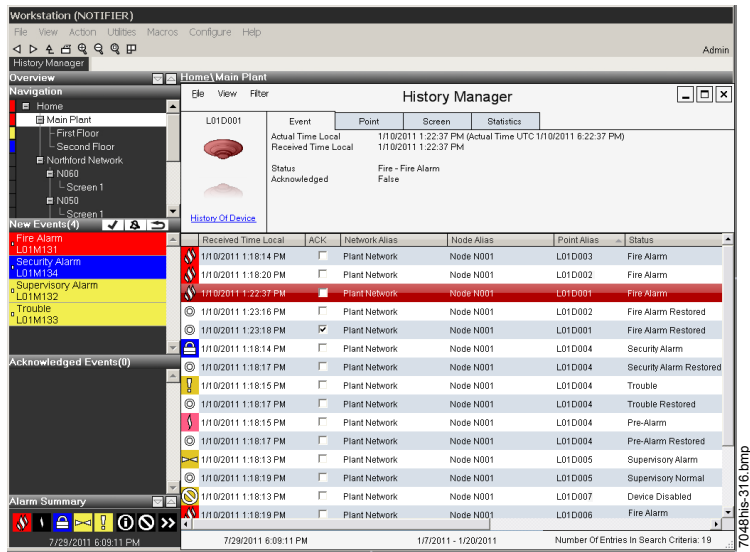
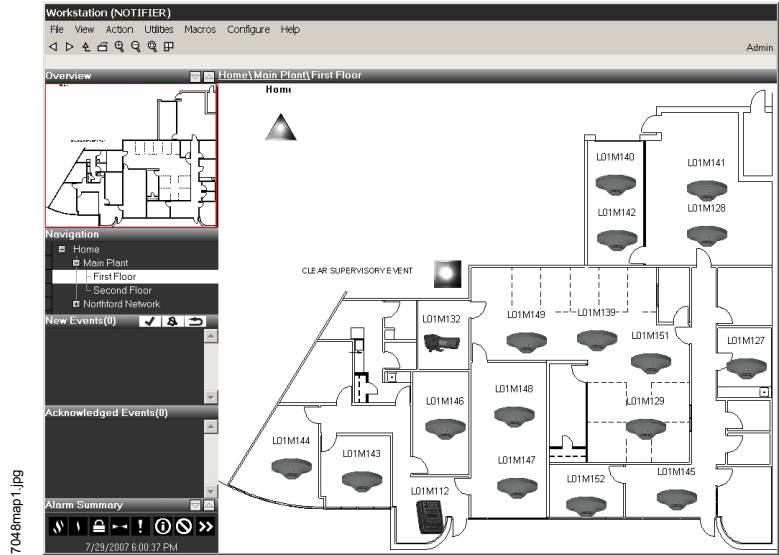
The flexible ONYXWorks system can interface to and monitor events received by Ademco (685), Radionics (D6600), Silent Knight (9500, 9800), and Teldat VisorAlarm Central Station receivers (contact ID format only) by using the Receivers Gateway (see Receivers Gateway data sheet DN-7061).



Specialized Client Applications

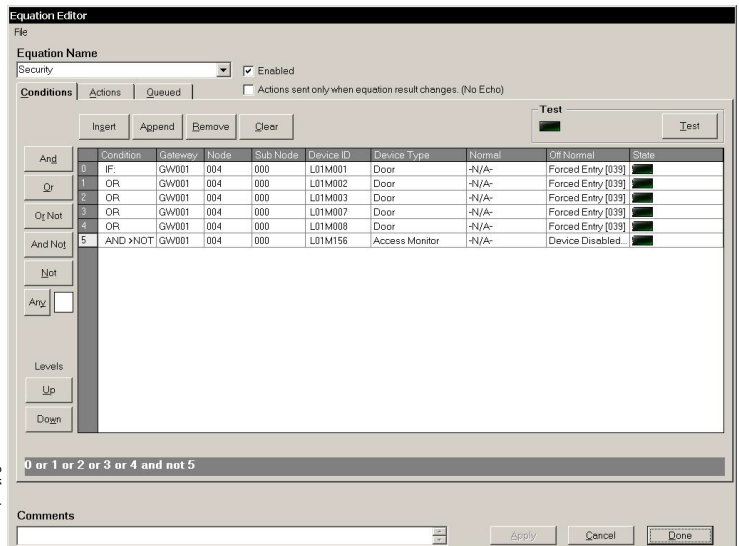
- ONYXWorks Workstation
- History Manager
- NetLogic

ONYXWorks Workstation Software



History Manager

NetLogic



Specifications

DIMENSIONS

CPU Dimensions (desktop/rack mount unit): Width: 482 mm (19.0"). Depth: 450 mm (17.7"). Height: 177 mm (7.0"). Weight: 17.5 kg (39 lbs.).

22" Monitor Dimensions*: Width: 20.2" (513.08 cm). Height: 15.9" (403.86 mm). Depth: 8.7" (221.8 mm). Weight: 15.3 lbs (6.9 kg).

**DIMENSIONS NOTE: Dimensions subject to change. Contact NOTIFIER for further information.*

ELECTRICAL

CPU Electrical: AC Input: (frequency 47 Hz – 63 Hz), 9.0 A @ 115 V (95-132 V), 4.0 A @ 230 V (185-264 V).

22" Monitor Electrical: (frequency 50/60 Hz auto-adjust), 0.65A–0.3A @ 100–240 VAC. Power consumption: 42 watts (maximum).

ENVIRONMENTAL

Operating Temperature: 0°C to 49°C (32°F to 120°F).

Standards and Codes

ONYXWorks complies with the following UL Standards and NFPA 72 Fire Alarm Systems requirements:

- **UL 864** (Fire).
- **UL 294** (Access Control).
- **UL 1076** (Burglary).
- **UL 2017** (General Purpose Signaling).
- **UL 2572** (Mass Notification).
- **CAN/ULC S527.**
- **CAN/ULC S559.**

Listings and Approvals

These listings and approvals apply to the modules specified in this document. In some cases, certain modules or applications may not be listed by certain approval agencies, or listing may be in process. Consult factory for latest listing status.

- **UL/ULC Listed:** S5526.
- **CSFM:** 7300-1525:0103.
- **MEA:** 286-07-E (ONYXWORKS-NW, ONYXWORKS, NFN-GW-EM); 286-07-E Vol. 2 (NFN-GW-PC-F).
- **NYC Fire Dept.:** COA #6121, 6114.

Ordering Information

WARRANTY: The PC is warranted for 3 years; monitors are warranted from date of purchase for a period of 12 months. Please refer to the NOTIFIER Limited Warranty Policy for additional information.

ONYXWorks Workstation Components: ONYXWorks Workstation Graphics User Interface (GUI) software and hardware package. Includes UL-Listed rack mountable graphics PC with Intel® i7-4700EQ, 2.4GHz, QM87, 4th Gen, (four cores/8 threads), 6 MB of Cache, 16 GB of RAM, a 240 GB solid-state hard drive, sound, optical mouse, keyboard, Ethernet ports, one GUI workstation software license, and software key. One UL-listed monitor required per workstation; dual-monitor capable (monitors sold separately).

ONYXWORKS-WS: Workstation with ONYXWorks GUI software and computer hardware. Monitor and network gateway sold separately.

MON-22LCDW: UL-listed 22" widescreen HD LED color monitor with integrated speakers.

MON-22LCDW-TS: UL-listed 22" widescreen HD LED color touchscreen monitor with integrated speakers.

NFN-GW-PC-F: NFN Gateway PC card with fiber*.

NFN-GW-PC-W: NFN Gateway PC card with wire.

NFN-GW-EM-3: NFN Gateway, embedded.

NFN-GW-PC-HNSF: High-speed NFN Gateway PC card for single-mode fiber

NFN-GW-PC-HNMF: High-speed NFN Gateway PC card for multi-mode fiber

NFN-GW-PC-HNW: High-speed NFN Gateway PC card for wire.

DACR-GW:** Receivers Gateway (PC version)*.

NOTIFY-IP: Mass notification voice paging; can page up to 50 NFN gateways simultaneously.

ONYX-NOTIFY: Adds e-mail option to ONYXWorks. E-mail notification requires an SMTP server or a web hosting service with SMTP service provided.

ONYX-PAGER: Alphanumeric pager interface option (requires an alphanumeric paging service).

LEDSIGN-GW: Emergency sign integration. Can operate with or without ONYXWorks Workstation.

OAX2-24V: Two-line sign for use with LEDSIGN-GW. TCP/IP, 24V or POE (Power over Ethernet).

CAP-GW: For use with or without ONYXWorks Workstation.

**NOTE: If adding to an existing system, please provide customer service with the 5-digit software key number of your workstation. An upgrade authorization will be provided to you.*

***ORDERING NOTE: Authorized distribution only.*

NOTIFIER®, VeriFire®, and ONYXWorks® are registered trademarks and NOTIFIRE-NET™ is a trademark of Honeywell International Inc. Microsoft® and Windows® are registered trademarks of Microsoft Corporation. Intel® is a registered trademark of Intel Corporation. VisorALARM® is a registered trademark of the Teldat Corporation.

©2014 by Honeywell International Inc. All rights reserved. Unauthorized use of this document is strictly prohibited.



This document is not intended to be used for installation purposes.
We try to keep our product information up-to-date and accurate.
We cannot cover all specific applications or anticipate all requirements.
All specifications are subject to change without notice.



Made in the U.S.A.

For more information, contact Notifier. Phone: (203) 484-7161, FAX: (203) 484-7118.
www.notifier.com