

LCD2-80

Liquid Crystal Display Terminal Mode Annunciator



Annunciators

General

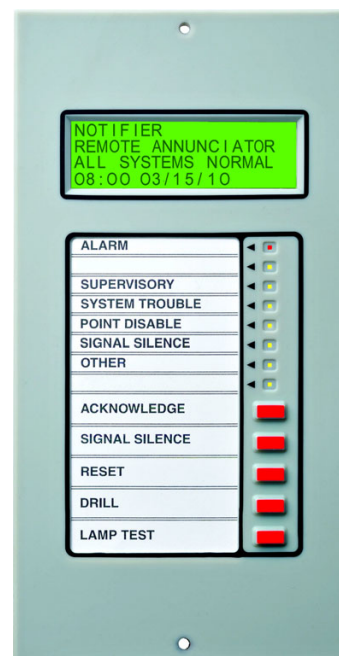
The LCD2-80 is a backlit LCD annunciator for the NOTIFIER fire alarm control panels, or network control annunciators that support the 80-character display format. LCD2-80s may be connected onto the four-wire EIA-485 terminal port.

The LCD2-80 mimics the display of NFS2-640, NFS2-3030, NFS-320, NCA-2 and legacy panels that supported the LCD-80/LCD-80TM. The NFS2-3030 and the NCA-2 also support LCD2-80s when set for LCD-80 supervision. Up to 32 LCD2-80s can annunciate and provide remote reset, acknowledge, drill and silence of the control panel from remote locations.

NOTE: The LCD2-80 can be used with legacy panels that supported the LCD-80 terminal mode operation. Please refer to the LCD2-80 manual for more information.

Features

- 80-character backlit Liquid Crystal Display (20 characters x 4 lines).
- Display mimics panel or NCA
 - Event message.
 - 20 characters for point label.
 - 12 characters for extended label.
 - Time, date and point address.
- Control switches for System Acknowledge, Signal Silence Drill and System Reset.
- Up to 6000 foot segments between units.
- Local piezo sounder with alarm/trouble resound.
- Displays all analog, addressable points.
- Displays device type identifiers.
- Displays device and zone custom alpha labels.
- LCD2-80 mounts with any CHS-4 chassis slot.
- Slide-in label can be customized.
- LEDs for general off-normal events with UL 864 9th Edition Panels.

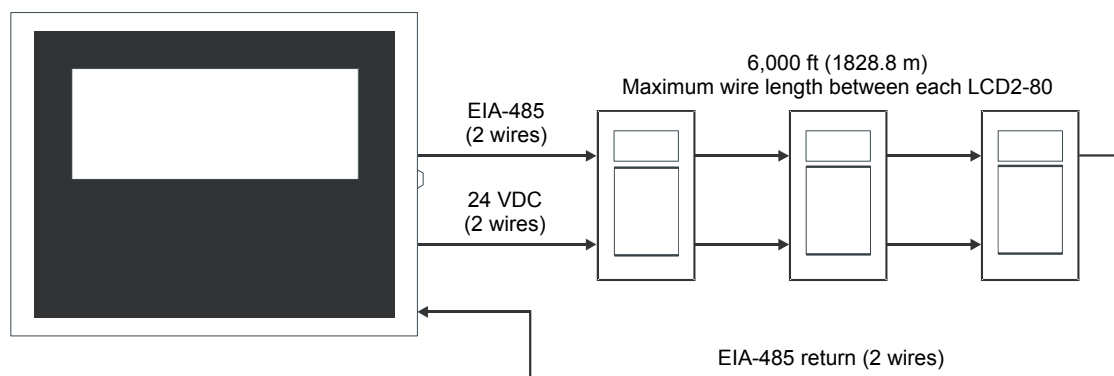


JCLCD2-80.jpg

NOTE: The LEDs are only applicable when used with UL 864 Ninth Edition listed panels: NFS-320, NFS2-640, NFS2-3030 and NCA-2.

- Flush/surface/panel mount option.
- No programming necessary. LCD2-80 displays time, date, and custom messages received from the compatible panel or network annunciator.
- LCD2-80 is 8.25" (20.96 cm) high, 4.375" (11.11 cm) wide, and 1.75" (4.45 cm) deep.
- Up to 32 LCD2-80s may be used on one EIA-485 circuit.

NOTE: Must have sufficient regulated 24 volt power.



NFS-320, NFS2-640, NFS2-3030, or NCA-2 connecting to LCD2-80

The ABF-1DB Backbox

The **ABF-1DB** is a semi-flush-mount backbox for the NOTIFIER LCD2-80 Series Annunciator. The ABF-1DB mounts one LCD2-80. It includes an attractive smoked-glass door with NOTIFIER keylock.

Dimensions, BOX only:

9.938" (25.24 cm) high, 4.625" (11.75 cm) wide, 2.5" (6.35 cm) deep.

Dimensions, DOOR only:

10.713" (27.21 cm) high, 6.0" (15.24 cm) wide, 0.75" (1.9 cm) deep.

Related Options

ABF-1DB: Semi-flush box with alternative smoked-glass door, any keylock.

ADP-4B: Annunciator dress plate, black. Allows panel mounting of up to four LCD2-80 modules in a CAB-4 Series cabinet.

ABF-1B: Annunciator flush box, 9.938" (25.24 cm) high, 4.625" (11.75 cm) wide, and 2.5" (6.35 cm) deep. Order AKS-1B key switch and APJ-1B phone jack if desired. Can also be mounted in ABF-2B or ABF-4B annunciator backboxes.

ABS-1TB: Deep surface backbox (mounts one LCD2-80).

ABS-2B: Annunciator surface box, 8.5" (21.59 cm) high x 8.92" (22.66 cm) x 2" (5.08 cm) deep. Knockouts are provided for use with 1/2" (1.27 cm) conduit. The annunciators mount directly to the ABS-2B without a dress plate.

ABS-2D: Annunciator backbox, surface, black.

ABF-2B: Annunciator flush box, 9.938" (25.24 cm) high x 9.188" (23.34 cm) wide x 3.75" (9.525 cm) deep. Includes a painted metal trim plate [11" (27.94 cm) high x 10.625" (26.99 cm) wide] and adhesive-backed annunciator label.

ABF-2DB: Annunciator semi-flush mount backbox. Black with a smoked glass door with a keylock.

AKS-1B: Key Switch (black) to enable/disable controls when mounted in ABF-1B or ABS-1TB.

Agency Listings and Approvals

These listings and approvals apply to the modules specified in this document. In some cases, certain modules or applications may not be listed by certain approval agencies, or listing may be in process. Consult factory for latest listing status.

- UL Listed: S635
- ULC Listed: S635
- FDNY: COA# 6067, 6065
- CSFM: 7165-0028:0243, 7165-0028-0224
- FM Approved

©2012 by Honeywell International Inc. All rights reserved. Unauthorized use of this document is strictly prohibited.



This document is not intended to be used for installation purposes.
We try to keep our product information up-to-date and accurate.
We cannot cover all specific applications or anticipate all requirements.
All specifications are subject to change without notice.



Made in the U.S. A.

For more information, contact Notifier. Phone: (203) 484-7161, FAX: (203) 484-7118.
www.notifier.com